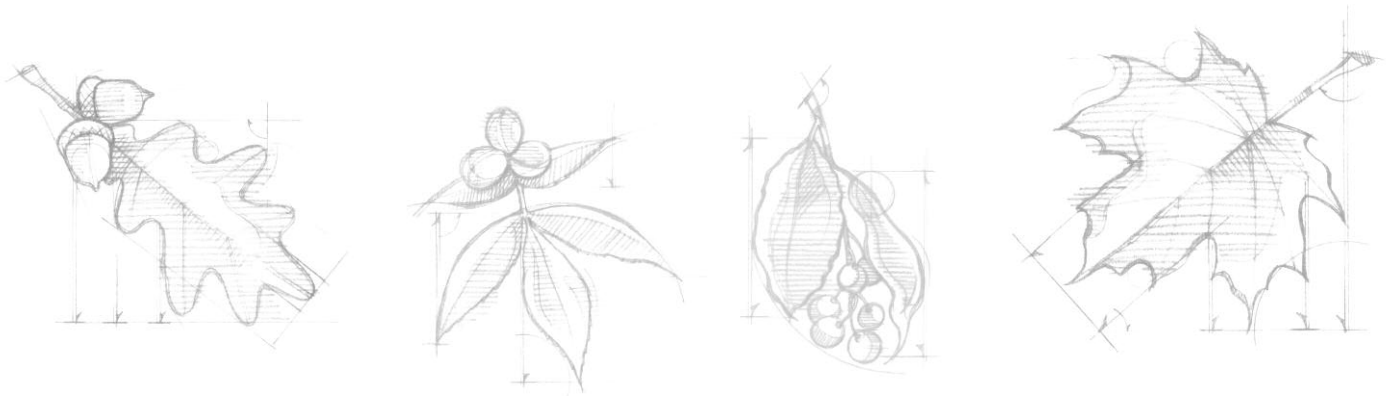
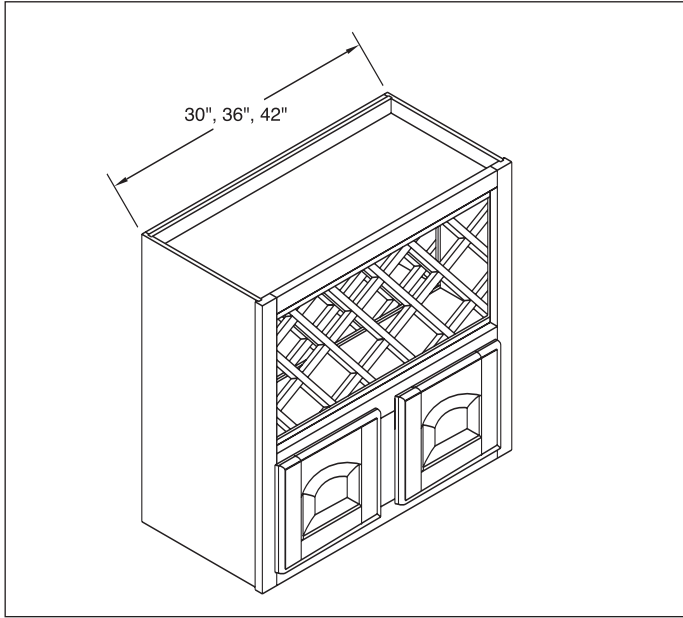


# Custom Cabinet Ideas

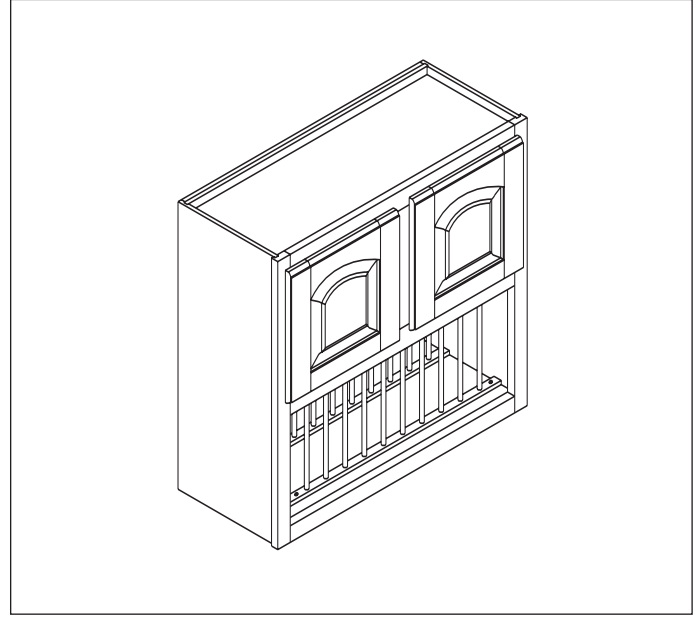


## Integrated Wall Units

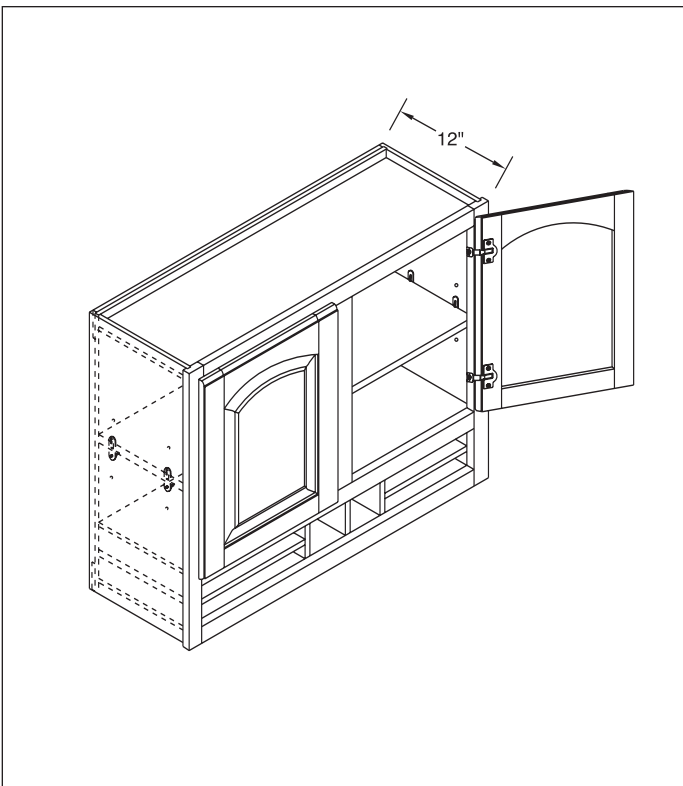
Whenever possible, it is aesthetically pleasing and will reduce installation time when you combine two stacked cabinets into one integrated face frame.



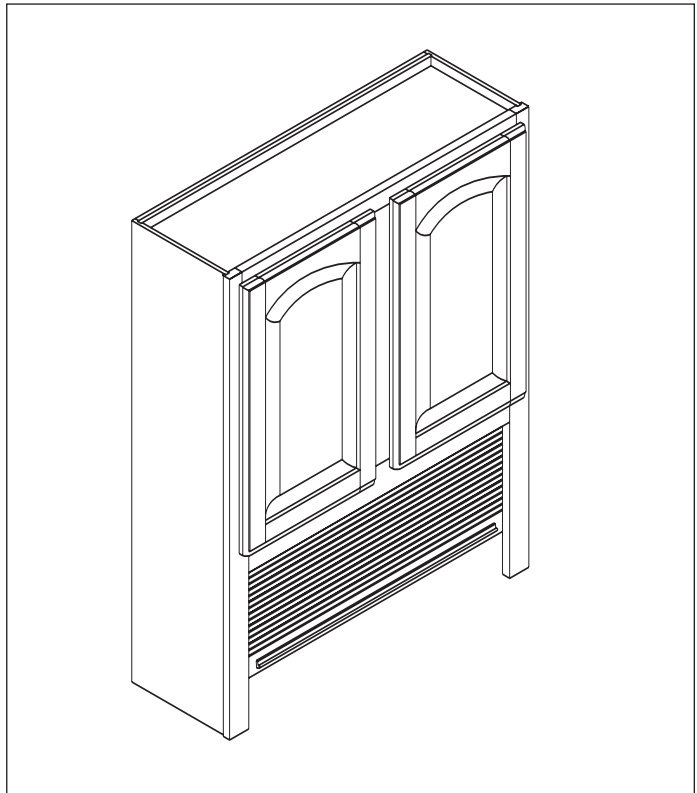
Here is an example of a wall cabinet with integrated wine rack cabinet. Wine rack can be constructed above (shown) or below cabinet.



You can also integrate a wall cabinet with a plate rack cabinet. Maximum height for plate rack section is 15". Plate rack can be constructed above or below cabinet.

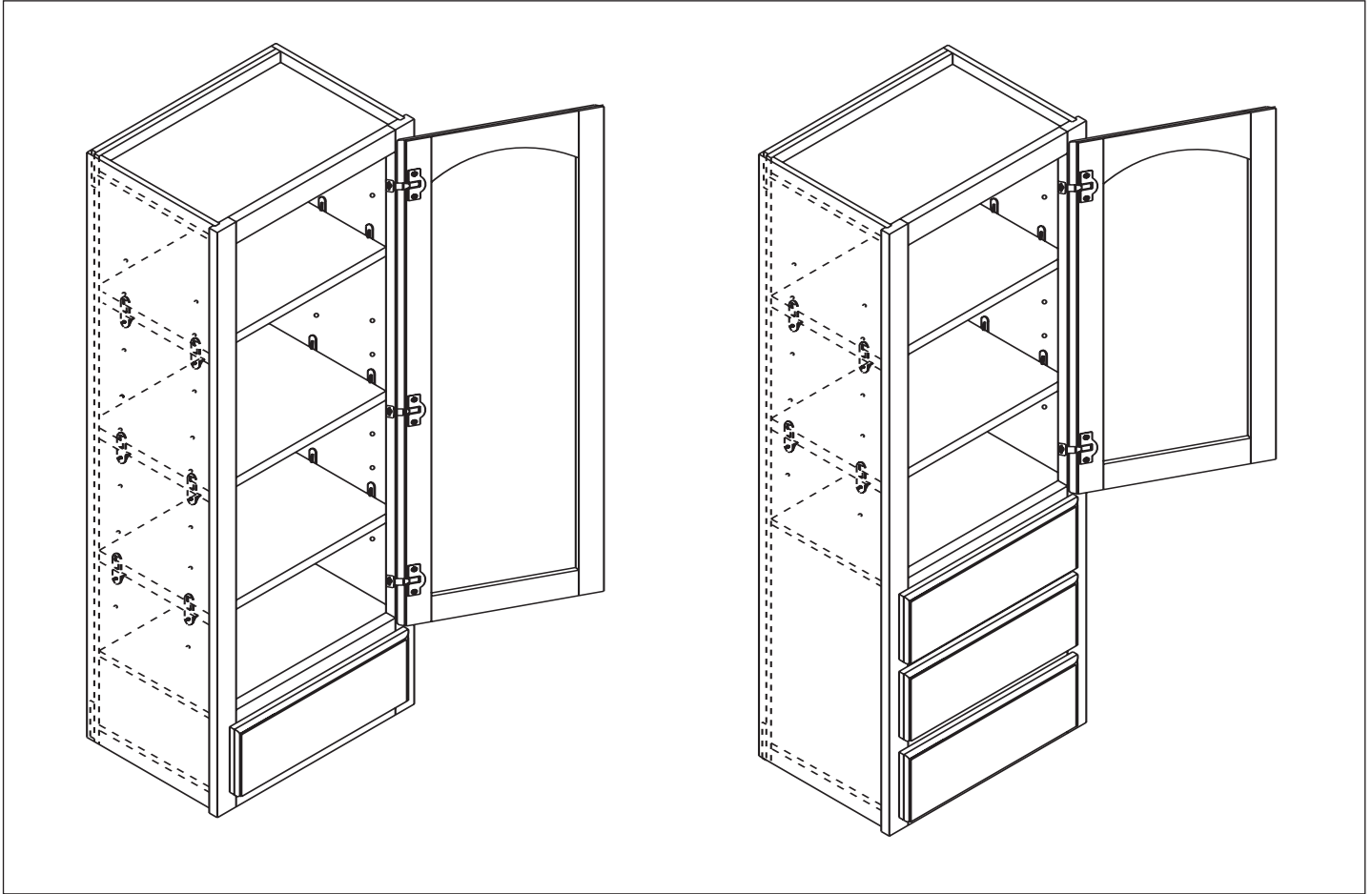


Or even a wall cabinet with integrated organizer behind the face frame.

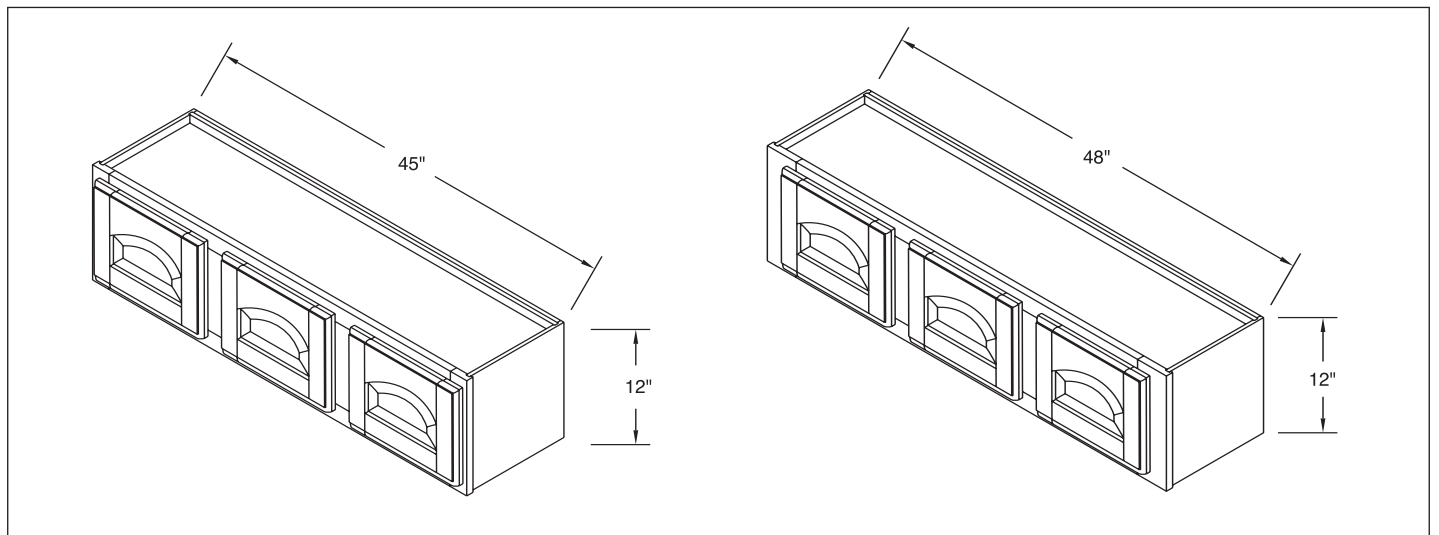


How about a wall cabinet with integrated straight appliance garage.

## Wall Cabinet Storage Ideas



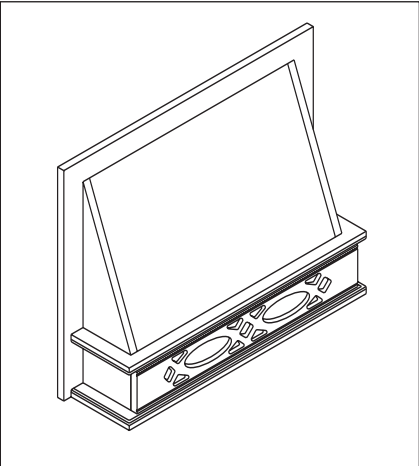
Integrate drawers with wall cabinets keeps clutter off the counter whether you're designing for the kitchen, bath or home office. 12"-14" deep drawers will have full extension guides. All other guides will be standard unless otherwise specified.



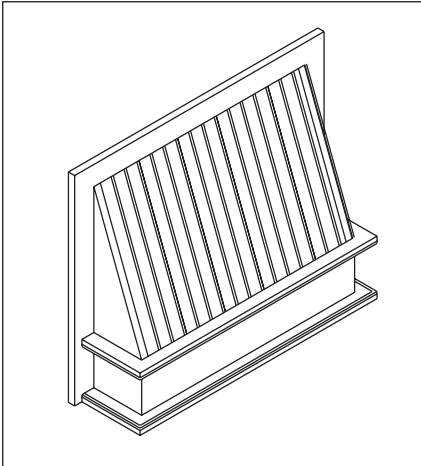
When extending the width of a cabinet, consider adding a third door. You maintain the same storage space and eliminate extra wide doors that may disrupt your design.

# Adding Flair to Wall Cabinets

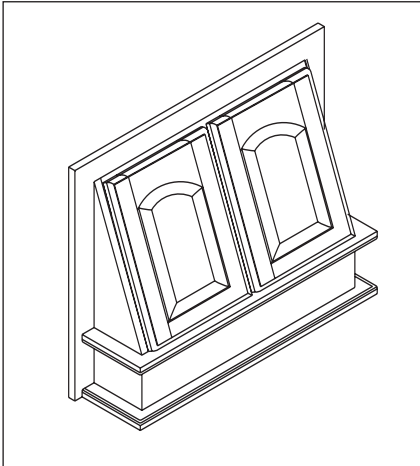
Dress up “feature” Cabinets with applied moldings, panels or decorator panels. Here are just a few ideas.



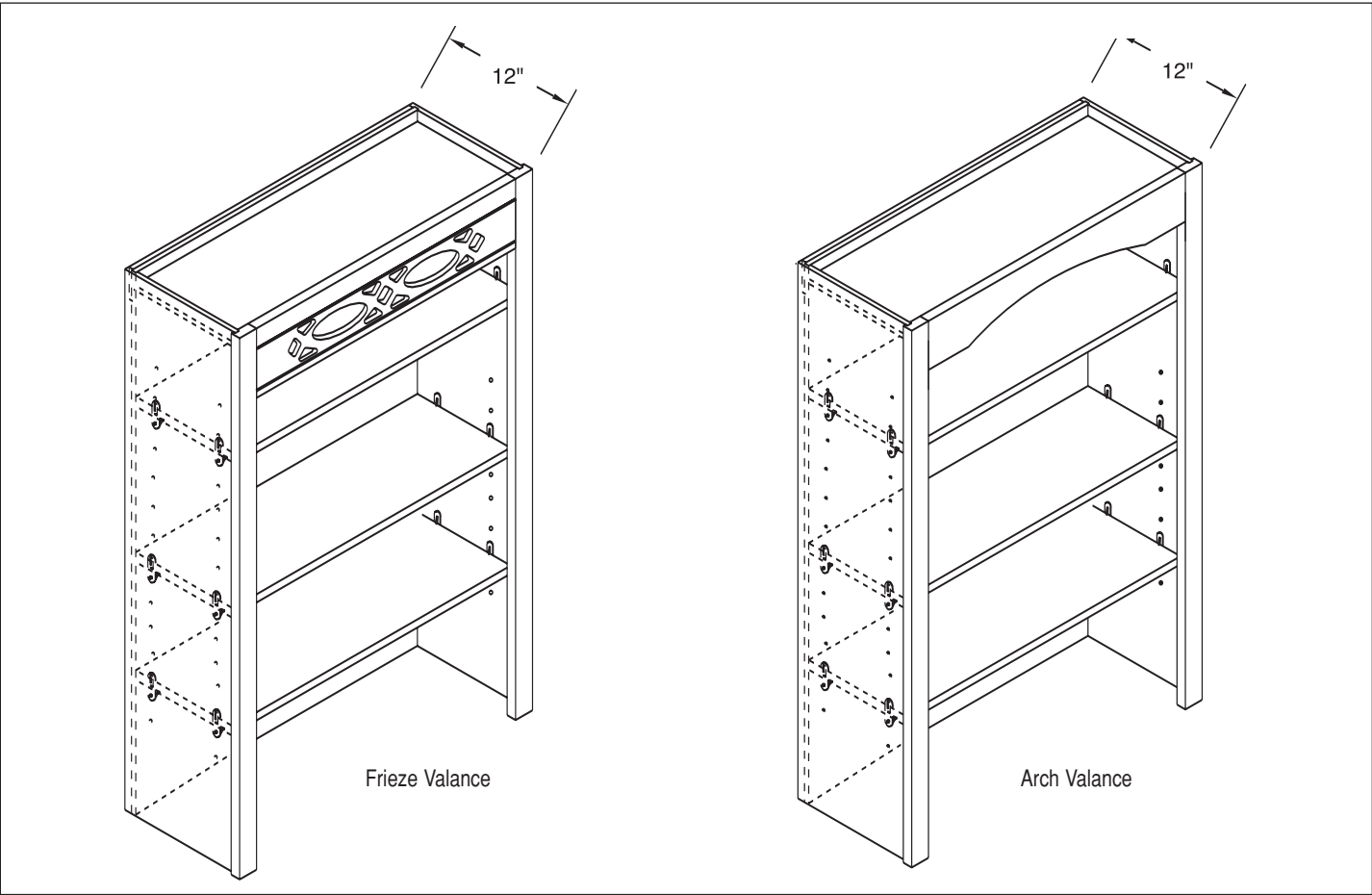
DRH with factory applied Frieze Valance.



DRH with factory applied bead board panel.

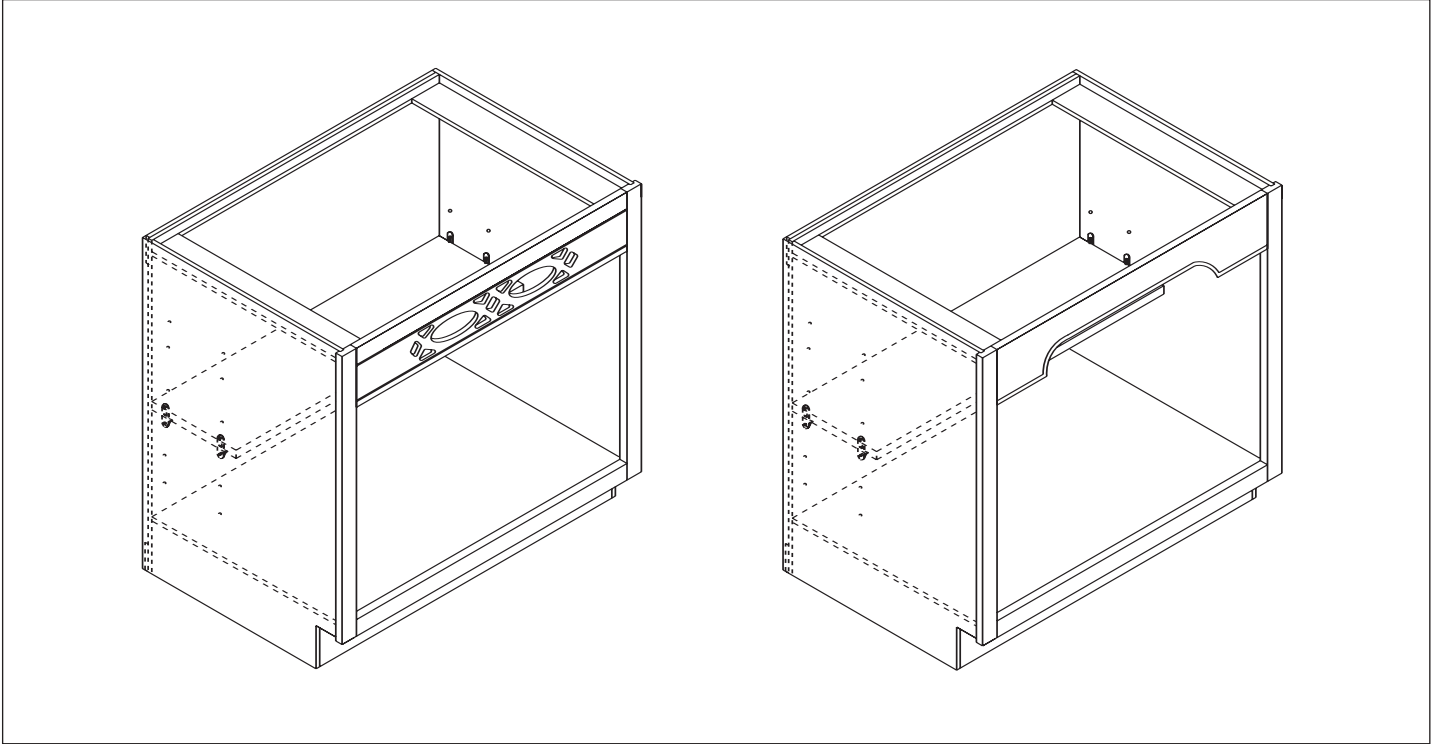


DRH with factory applied cabinet doors.

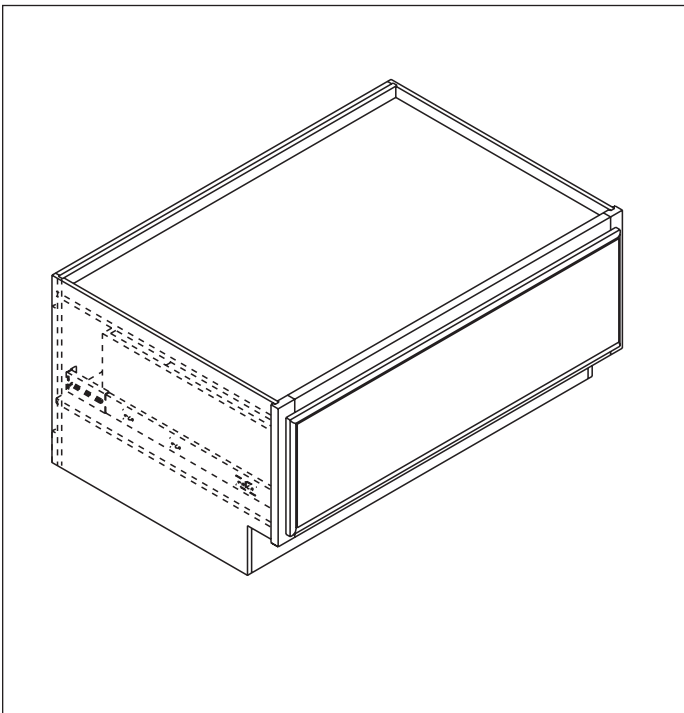


Bookcase units are typically constructed with a Furniture Valance as the top rail. Add flair by substituting a Frieze, Arch or Straight Valance to this unit. (The Frieze Valance will be applied below the top rail.)

## Adding Flair to Base Cabinets

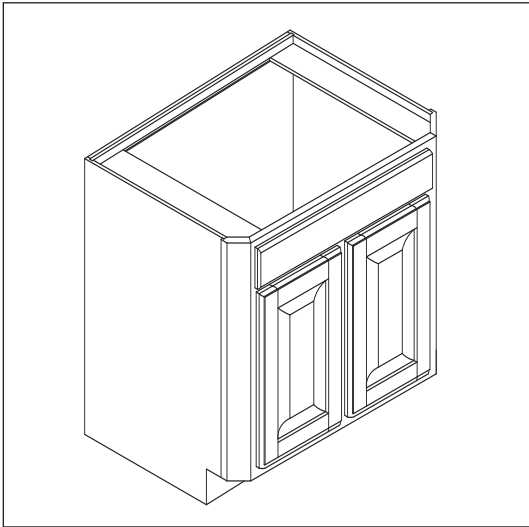


Trading the top rail of a base cabinet with a decorative valance and finishing the interior of a base cabinet without doors helps to create a simple yet attractive feature cabinet. **Note:** The Frieze Valance will be installed below the top rail.

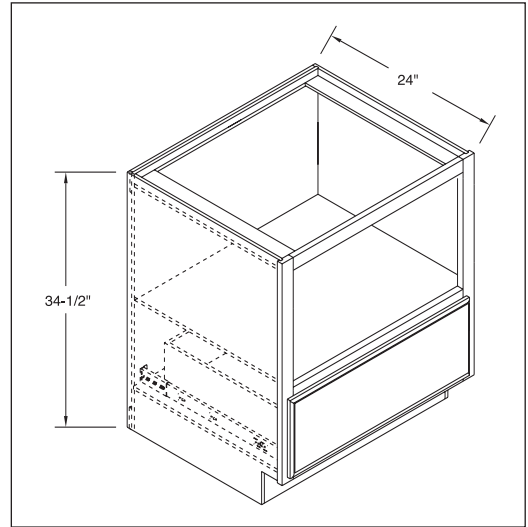


A bench seat can be created using the bottom drawer of a BD-D cabinet with full extension guides. The bench seat is easily finished with an SP top and cushion.

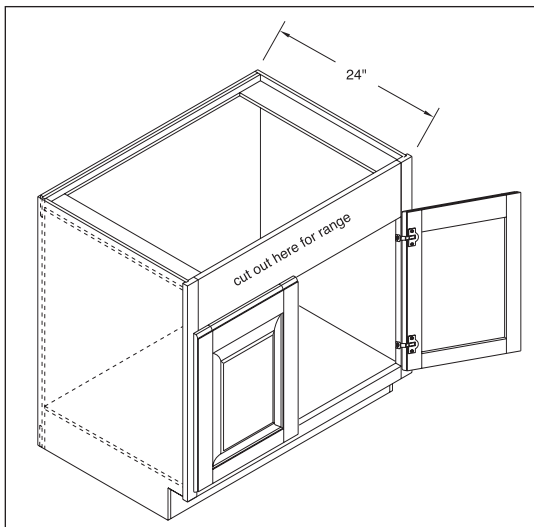
# Custom Base Cabinets



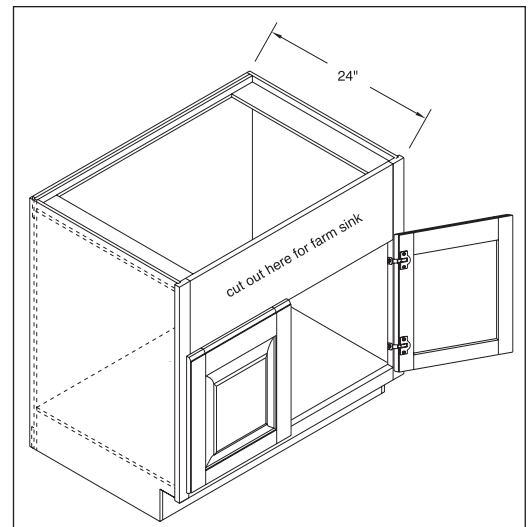
Save installation time by incorporating transitional fillers or fluted fillers into the construction of any sink base cabinet.



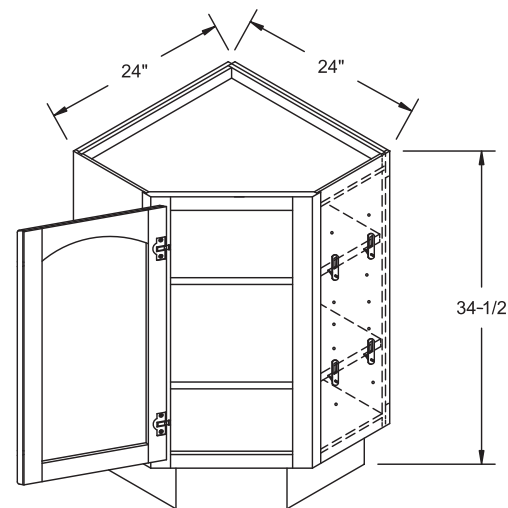
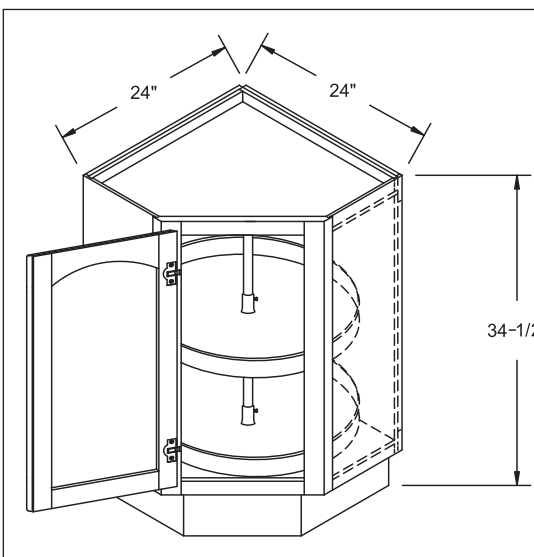
Turn a standard base cabinet into a child friendly microwave center. Be sure to include appliance specifications with your request.



Create a custom range base for today's pro-series cooktops. Be sure to include the appliance specs with your drawing.

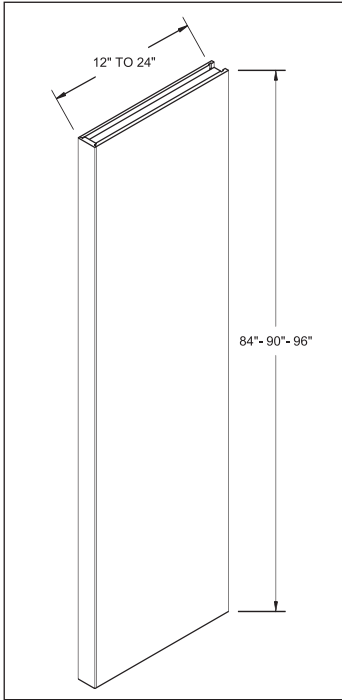


Apron or farm sinks work into your design easily with HomeCrest custom cabinet flexibility. Be sure to include specific sink information with your request.



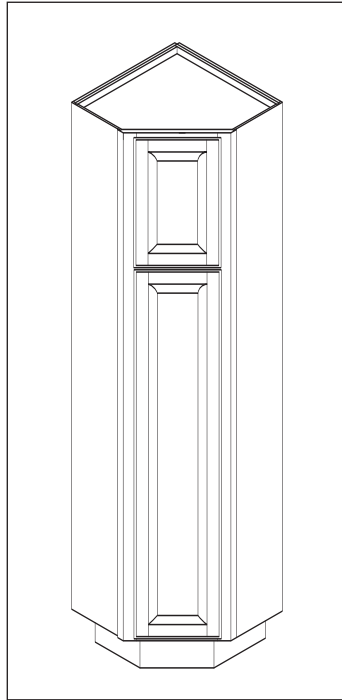
To finish the cabinet run or an island with flair and function, simply add a toe kick to a corner diagonal wall cabinet. You choose whether a spinner unit is needed or if sometimes shelves are the perfect answer.

# Tall Cabinet Storage Ideas



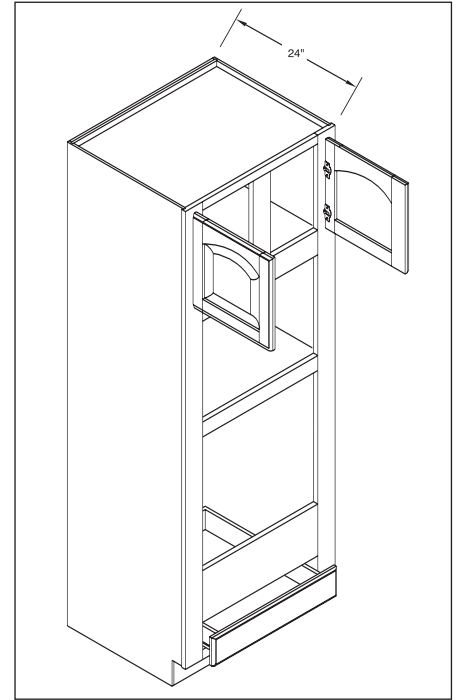
### Column Boxes:

Surround the refrigerator, a pantry, any tall cabinet with column boxes, spindles, spools and other creative moldings with the help of custom column boxes. Available in 84"/90"/96" or heights in between, you determine the width and depth.



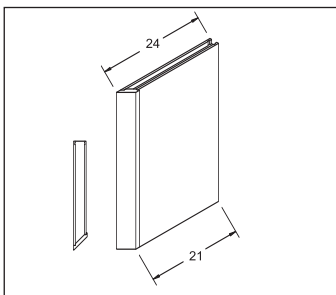
### Custom Utility Cabinet:

Turn often wasted corners of any master bath into closet or utility cabinet storage. Figure the dimensions of your space and check the availability of doors for your cabinet in the back of this price book. Provide us with a drawing and HomeCrest will help your dreams become a reality.



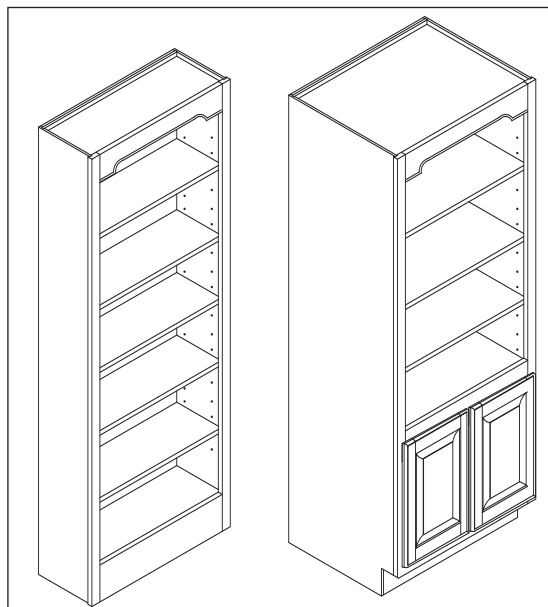
### Custom Appliance Cabinet:

Using your appliance specifications, create a custom microwave/oven unit from a universal oven cabinet. Be sure to use the worksheet on page 21 for your appliance specification information.



### Diagonal Column Boxes:

Transitional fillers are wonderful but sometimes you want to end a run of cabinets with a bit of flair. For an easy fix, specify either a plain or fluted diagonal column box in your height, width and depth dimensions.



### Shelf Units:

Whether its for a home office, the kitchen or the family room open shelf units make wonderful display and organization aids. Custom front frames can be built with arched, furniture or frieze valance top rails. Specify the bottom of the unit with a flush toe kick with (field applied furniture base molding) and a finished interior and the result is a fine piece of furniture for any room in the home. Maximum width of 36" and height of 96".

Enhance the open shelf unit with a couple of cabinet doors and you have the best of both worlds - open and closed storage! Field applied Soffit A molding to any of the shelves, creates a handy plate rail for displaying collectibles. Be sure to include complete specifications when creating your custom cabinet.

# Notes

