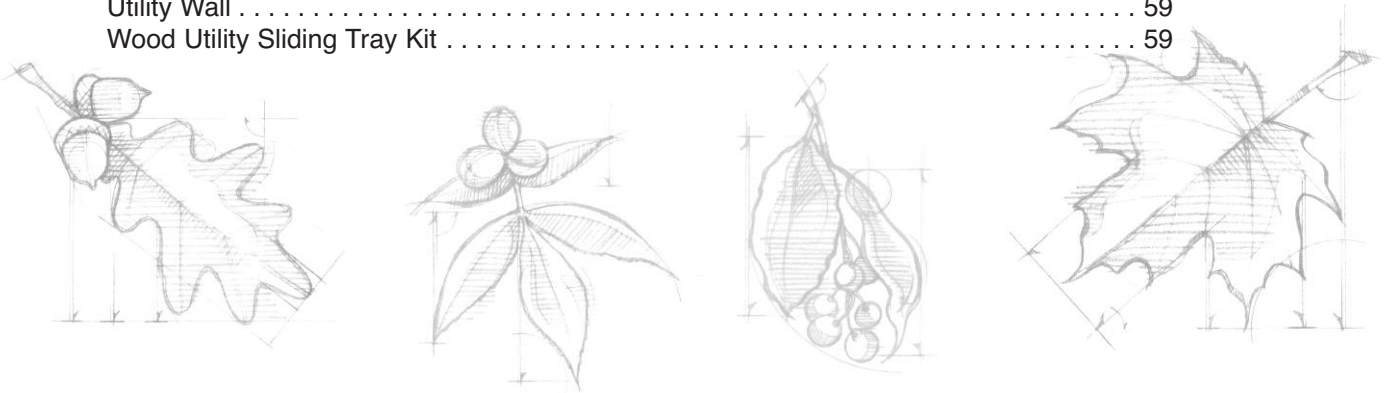


Tall Cabinets

INDEX	PAGE
Double Oven	58
Entertainment Center	60
Pantry Base	58
Pantry Door Rack Kit	58
Pantry Shelf and Door Rack Kit	58
Pantry Shelf Kit	58
Single Oven with Sliding Tray	58
Single Oven with Sliding Wood Tray	58
Utility Base	59
Utility Shelf Kit	59
Utility Sliding Tray Kit	59
Utility Wall	59
Wood Utility Sliding Tray Kit	59



Note: For custom cabinet ideas please refer to the Custom Choice Cabinetry section at the front of this book.

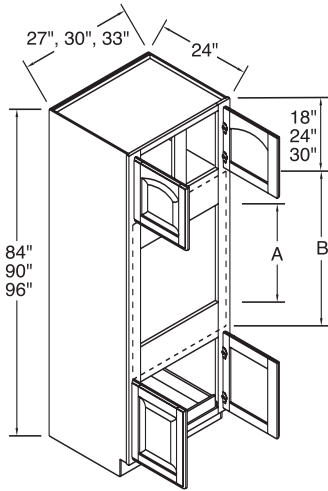
Oven Cabinets

Unless otherwise noted all oven cabinets are 24-3/4" deep including door. Toekick height: 4-1/2", depth: 3".

Lower section available with square doors only.

Single Oven Cabinets

84", 90" & 96" High - 1 piece



OS2784S-OS3396S: 2 butt doors top, 2 butt doors bottom. 1 full width sliding tray at bottom.

90" units - 1 half depth shelf, top section.

96" units - 2 half depth shelves, top section, and toe assembly unattached.

27" wide ovens do not have a center vertical in top section.

WS denotes wood sliding trays.

Wood trays are constructed from 1/2" material with epoxy coated guides.

HomeCrest recommends 1-1/2" clearance between thermofoil doors or drawer fronts and any heat source.

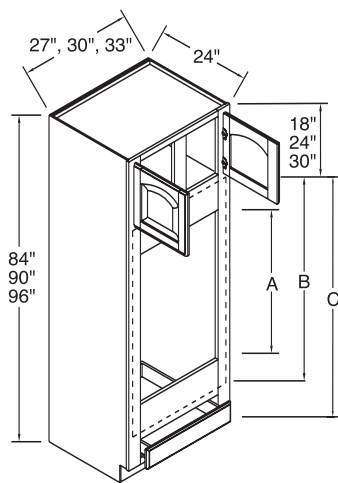
ITEM

- OS2784S
- OS2790S
- OS2796S
- OS3084S
- OS3090S
- OS3096S
- OS3384S
- OS3390S
- OS3396S
- OS2784WS
- OS2790WS
- OS2796WS
- OS3084WS
- OS3090WS
- OS3096WS
- OS3384WS
- OS3390WS
- OS3396WS

Single Oven	(Width Cutout)		(Height Cutout)	
	Min	Max.	Min. A	Max. B
27"	21"	25-1/2"	25-1/2"	40-1/2"
30"	24"	28-1/2"	25-1/2"	40-1/2"
33"	27"	31-1/2"	25-1/2"	40-1/2"

Double Oven Cabinets

84", 90" & 96" High - 1 piece



OD2784-OD3396: 2 butt doors top, 1 drawer bottom.

90" units - 1 half depth shelf, top section.

96" units - 2 half depth shelves, top section, and toe assembly unattached.

27" wide ovens do not have a center vertical in top section.

HomeCrest recommends 1-1/2" clearance between thermofoil doors or drawer fronts and any heat source.

ITEM

- OD2784
- OD2790
- OD2796
- OD3084
- OD3090
- OD3096
- OD3384
- OD3390
- OD3396

Double Oven	(Width Cutout)		(Height Cutout)		
	Min	Max.	Min. A	Max. B	Max. C
27"	21"	25-1/2"	39-1/2"	54-1/2"	60"
30"	24"	28-1/2"	39-1/2"	54-1/2"	60"
33"	27"	31-1/2"	39-1/2"	54-1/2"	60"

Pantry Cabinets

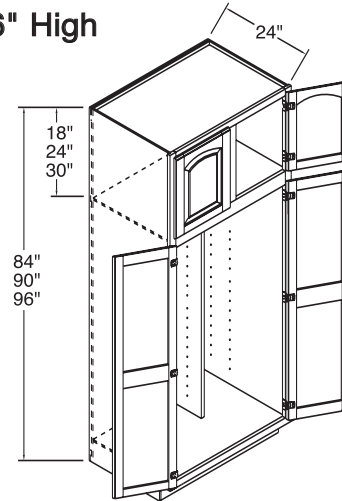
Unless otherwise noted all pantry cabinets are 24-3/4" deep including door. Toekick height: 4-1/2", depth: 3".

Lower section available with square doors only.

Pantry Cabinets

84", 90" & 96" High

All units have four butt doors. 90" units have 1 adjustable half depth shelf in top section. 96" units have 2 adjustable half depth shelves in top section, and toe assembly unattached. Pantry cabinets have a 18" center partition. **Order pantry shelf and/or insert kits separately.**



- PB3684
- PB3690
- PB3696

ITEM

- PB3684
- PB3690
- PB3696

Pantry Shelf Kit:

PSK36 includes 10 half depth 10-3/16" deep x 16-3/4" wide adjustable shelves. (Not Shown)

ITEM

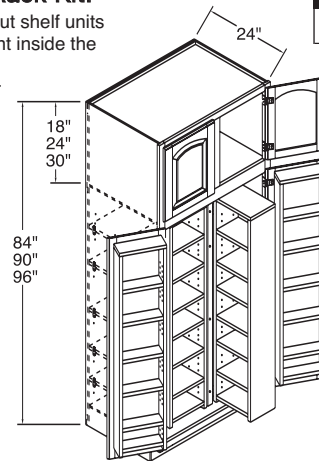
PSK36

Pantry Shelf & Door Rack Kit:

PSDRK36 includes 2 swing out shelf units 12" w x 57" h x 8" d that mount inside the PB36 and 2 door racks 12" w x 56-1/2" h x 4" d. Door racks include 5 adjustable and 1 fixed shelf. Each swing out unit includes 3 full-depth adjustable shelves, 1 fixed full-depth shelf and 4 half-depth fixed shelves. Includes PDRK which may be purchased separately.

Pantry inserts are constructed from oak veneer.

With PSDRK36 installed, PB36 bottom doors must be able to open more than 90°. Finish is light oak only.



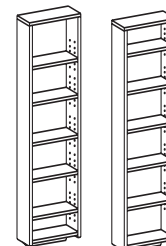
ITEM

PSDRK36

Pantry Door Rack Kit:

PDRK includes 2 door racks. Each door rack has 5 adjustable shelves and 1 fixed shelf. Includes hardware for installation. Each door rack measures 12" w x 56-1/2" h x 4" d.

Included in the PSDRK36 or may be the purchased Separately



PDRK

ITEM

PDRK

 These items are part of the Complements product offerings, Creative Organization in Cabinetry.

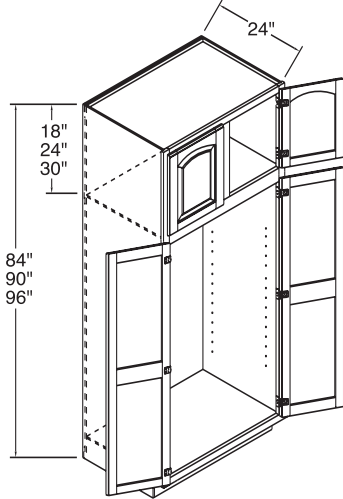
Utility Cabinets

Unless otherwise noted all utility cabinets are 24-3/4" deep including door. Toekick height: 4-1/2", depth: 3".

Lower section available with square doors only.

24" Deep Utility Cabinets

84", 90" & 96" High - 1 piece



U158424-U369624: 24-3/4" deep including door

Shelves in lower section not included. 90" high has one adjustable half depth shelf in top section. 96" high has two adjustable half depth shelves in top section and toe assembly unattached. Upper doors available square or cathedral/arch. Lower door available square only. Single door cabinet specify left or right.

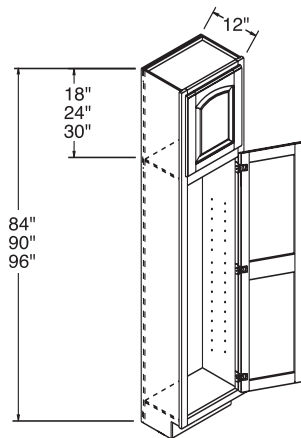
Note: 24" wide has butt doors & full width opening in top & bottom sections. 30" and 36" wide have butt doors, full width opening in bottom section & center vertical in top section.

Lower doors are pinned together to create one tall door on each side.

See next column for shelf and sliding tray kits.

12" Deep Utility Cabinets

84", 90" & 96" High - 1 piece



U158412-U369612: 12-3/4" deep including door

Shelves in lower section not included. 90" high has one adjustable half depth shelf in top section. 96" high has two adjustable half depth shelves in top section and toe assembly unattached. Upper doors available square or cathedral/arch. Lower door available square only. Single door cabinet specify left or right.

Note: 24" wide has butt doors & full width opening in top & bottom sections. 30" and 36" wide have butt doors, full width opening in bottom section & center vertical in top section.

Lower doors are pinned together to create one tall door on each side.

See next column for shelf and sliding tray kits.

ITEM

U158424
U188424
U218424
U248424
U308424
U368424
U159024
U189024
U219024
U249024
U309024
U369024
U159624
U189624
U219624
U249624
U309624
U369624

Utility Cabinet Shelf Kits

ITEM

Utility Shelf Kit:

Available 12" deep (USK__12) and 24" deep (USK__24). Includes four adjustable shelves and locking shelf clips. Tray Kit not available for 12" deep Utilities.

Shelf kit not available for 36" wide, 24" deep utilities.

USK1512
USK1812
USK2112
USK2412
USK3012
USK3612

ITEM

USK1524
USK1824
USK2124
USK2424
USK3024

ITEM

UST1524
UST1824
UST2124
UST2424
UST3024
UST3624

Utility Sliding Tray Kit:

Available for 24" (U__24) deep utilities. Includes four laminated or wood sliding trays with hardware. Back panel of utilities are drilled to accept cabinet guide members. If additional trays are required, order standard sliding trays (ST__).

ITEM

WOOD UST1524
WOOD UST1824
WOOD UST2124
WOOD UST2424
WOOD UST3024
WOOD UST3624

Entertainment Centers

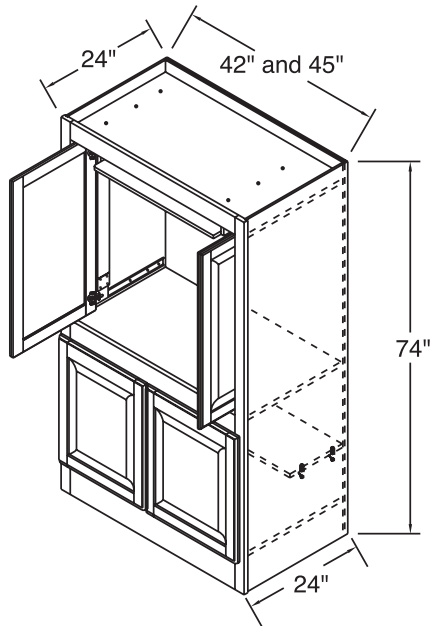
Lower section available with square doors only.

Entertainment Center/Wall Units

ECU4274 or ECU4574 - 42" w or 45" w x 74" h x 24" d. Constructed with pocket doors and one removable top suspended 6" DVD/VCR shelf in the upper unit and a half-depth shelf in the lower unit.

TV opening: 42" unit is 34-1/2" w x 34-1/2" h, 45" unit is 37-1/2" w x 34-1/2" h.

Design Suggestion: When positioning an EU cabinet next to the deeper ECU unit, consider the tolerance requirements of modified full overlay door style.



ITEM

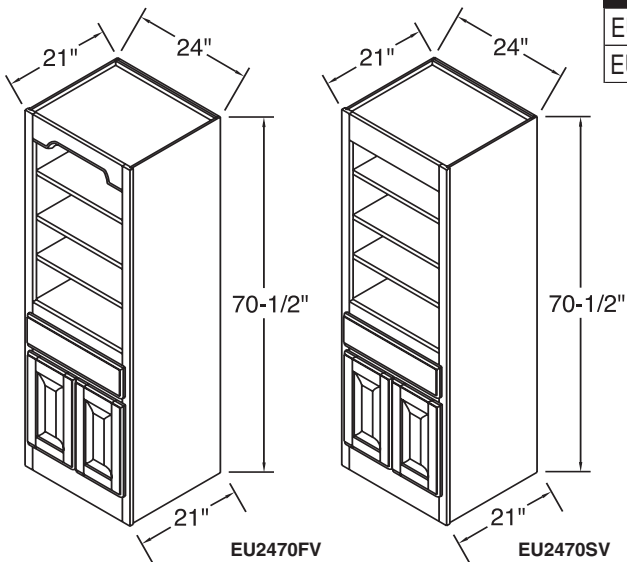
ECU4274

ECU4574

ITEM

EU2470FV

EU2470SV



EU2470FV

EU2470SV

EU2470FV or EU2470SV - 24" w x 70-1/2" h x 21" d. With a 1/2" wood dovetail drawer and a half-depth shelf in the lower section.

Rainier Maple and Rainier Cherry not available with Furniture Valance.

Entertainment Center/Wall Units

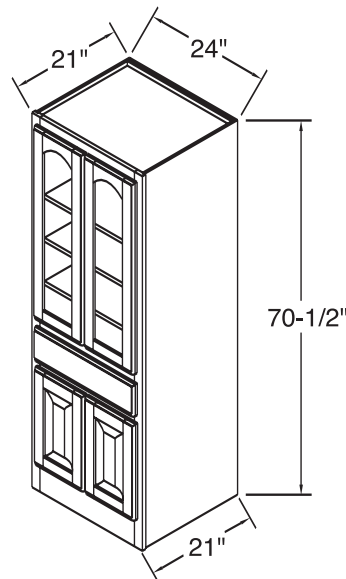
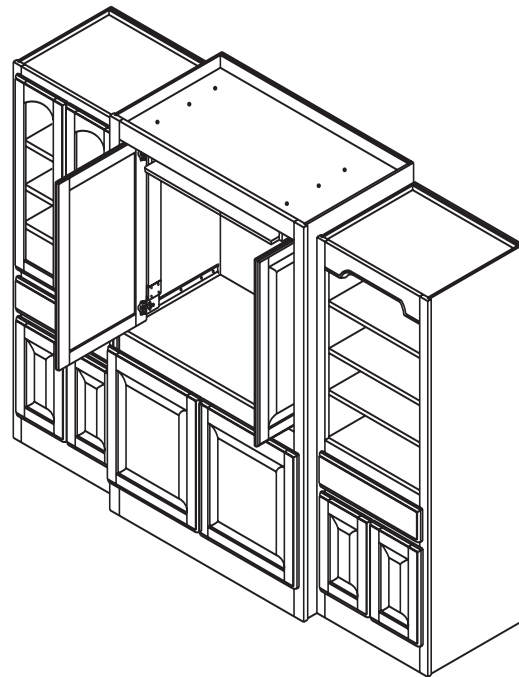
EU2470DF or EU2470MD - 24" w x 70-1/2" h x 21" d. With mullion or door frame upper section, 1/2" wood dovetail drawer and a half-depth shelf in the lower section.

Mullion door cabinets not available for Rainier.

ITEM

EU2470DF

EU2470MD



As shown, the three units can be fitted together easily. All units are constructed with finished plywood interiors and ends. The shelves are 3/4" thick wood veneer. The units are constructed with a flush toe area that can be finished with field applied molding.

NOTE: These cabinets cannot be changed or cancelled once an order has been placed.